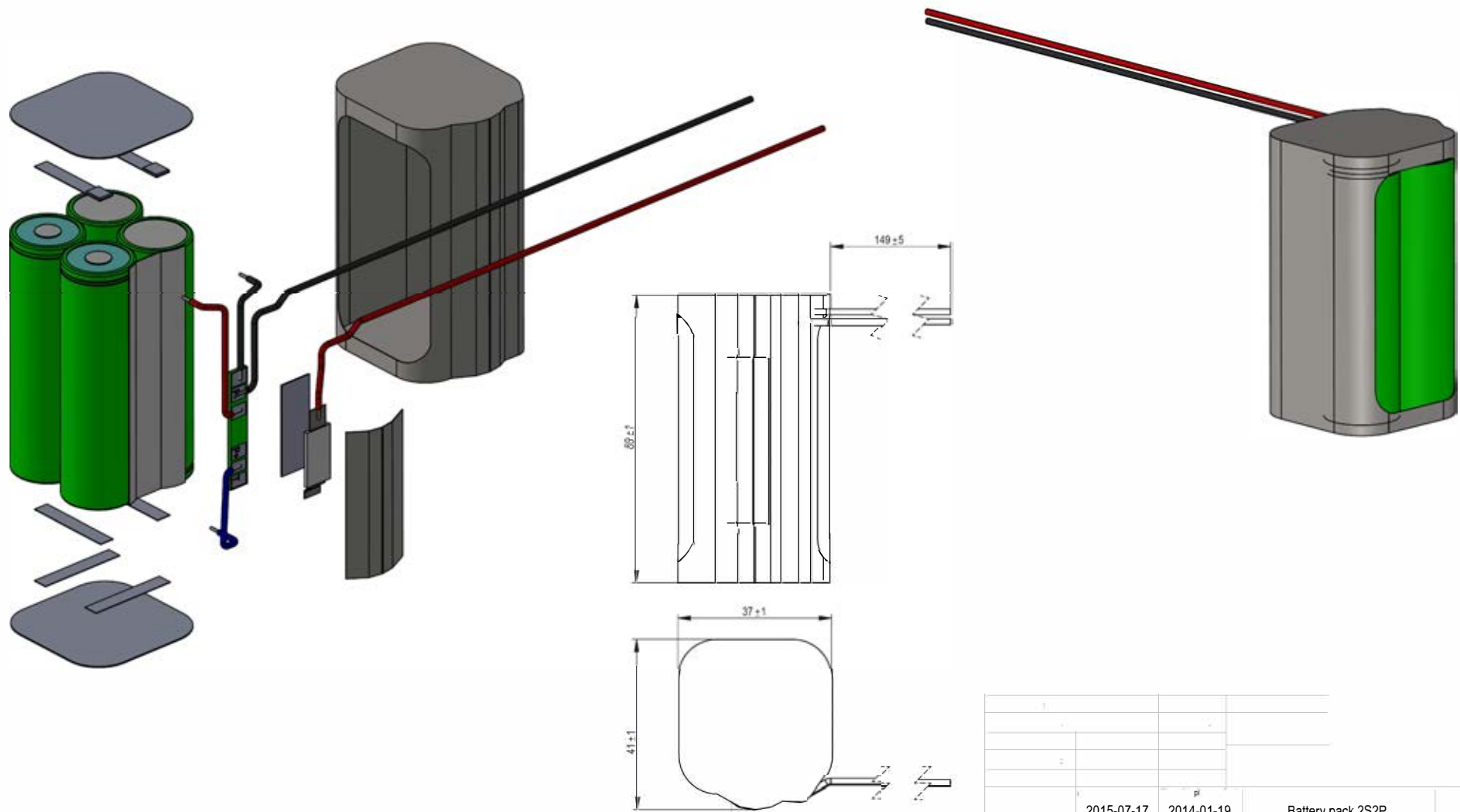


Specifications		2S2P ICR18650-26H
Nominal voltage [V]		7.2
Typical capacity [mAh]		5200
Charging method		CC/CV
Charging voltage [V]		8.4
Size [mm]		According to the draw
Weight [g]		230
Typical charge [mA]		2600
Maximum continuous discharge current/Max. [mA]		3000
Discharge cut-off voltage		5
Charge temperature	Typical	0°C do 45°C
	Rapid	10°C do 45°C
Discharge temperature	Continuous	20°C do 60°C
Storage temperature	Recommended	20°C do 35°C



2015-07-17

2014-01-19
pi

Battery pack 2S2P

8. Baza danych o produkcie, nie należy kopiować, rozpowszechniać lub udzielać informacji o produkcie bez zgody producenta.